

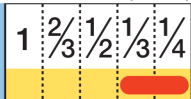


For Security
Vari-Focal

MP MEGA PIXELS

YV3.3×15SA-SA2

Applicable camera (model)



3.3×



VARI
Vari-Focal

TELE
Telephoto Long Focal

3 Mega
For Megapixel Camera

DC
DC Auto Iris

CS-mt
CS Mount

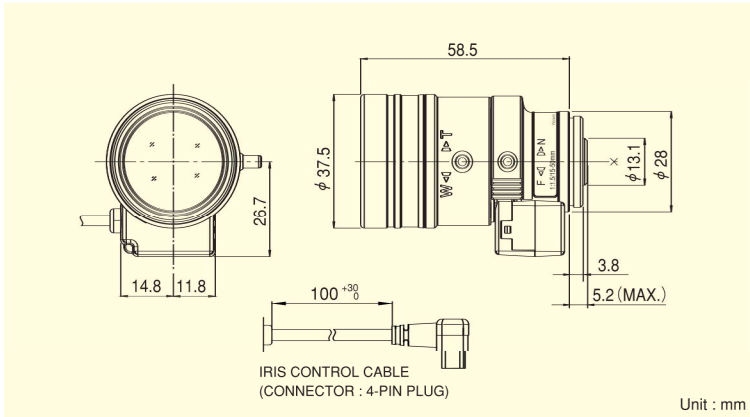
METAL
Metal Mount

N D
ND Filter

230
Long Cable

AT
Aspherical Lens

F1.5
Wide Aperture Rate

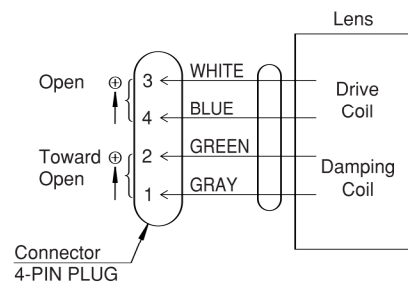


- High image-quality monitoring with optical performance supporting 3 megapixels.
- f15-50mm, 3.3x zooming application compatible lens.
- Designed to maximize optical performance with high-accuracy aspheric lens, low-dispersion glass, and high refractive-index glass.
- Built-in ND filter of T360, supporting high sensitivity cameras.

MEGAPIXEL VARI-FOCAL LENSES

Focal Length (mm)		15~50 (3.3×)	
Iris Range		F1.5 ~ T360 (Equivalent to F360)	
Operation	Zoom	Manual	
	Focus	Manual	
Angle Of View (H×V)	1/3"	WIDE	18°08' × 13°34'
		TELE	5°35' × 4°12'
	1/4"	WIDE	13°34' × 10°10'
		TELE	4°12' × 3°10'
Focusing Range (From Front Of The Lens) (m)		∞ ~ 0.8	
Object Dimensions at M.O.D. (H×V) (mm)	1/3"	WIDE	271 × 202
		TELE	87 × 66
	1/4"	WIDE	202 × 151
		TELE	66 × 49
Back Focal Distance (in air) (mm)		MIN.7.7	
Exit Pupil Position (From Image Plane) (mm)		-36	
Filter Thread (mm)		—	
Mount		CS	
Mass (g)		60	
Coil Resistance		Drive Coil	190Ω
		Damping Coil	500Ω
Current Consumption		23mA (Max.) at DC 4V	
Remarks		• With Metal Mount (*1) When power is turned off, iris will automatically close. YV3.3×15SA-SA2L : Long Cable Type (230mm)	

Wiring



[Lens Image]

