



For Security
Vari-Focal

MP MEGA PIXELS

YV3.3×15HR4A-SA2

Applicable camera (model)

1 2/3 1/2 1/3 1/4

3.3×



New!

VARI
Vari-Focal

TELE
Telephoto Long Focal

1.3 Mega
For Megapixel Camera

Day~Night
Day & Night

DC
DC Auto Iris

CS-mt
CS Mount

METAL
Metal Mount

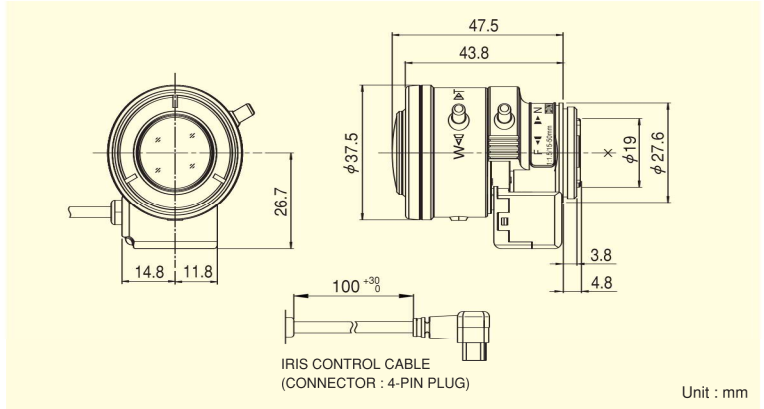
ND
ND Filter

AT
Aspherical Lens

F1.5
Wide Aperture Rate

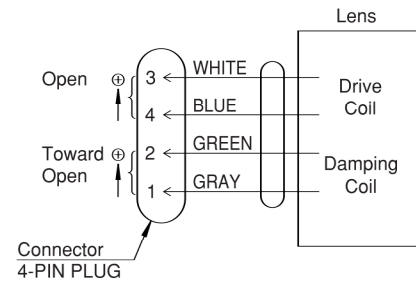
*Photograph is a similar model.

- High image-quality monitoring with optical performance supporting 1.3 megapixels.
- Advanced design engineering and special optic glass adopted, best suited for color, Black and White and Day and Night cameras.
- f15-50mm, 3.3x zooming application compatible lens.
- Compact and lightweight design, best suited for use with dome cameras.
- Designed to maximize optical performance with high-accuracy aspheric lens, low-dispersion glass, and high refractive-index glass.
- Built-in ND filter of T360, supporting high sensitivity cameras.



| | | | |
|---|-------|---|-----------------|
| Focal Length (mm) | | 15~50 (3.3×) | |
| Iris Range | | F1.5 ~ T360 (Equivalent to F360) | |
| Operation | Zoom | Manual | |
| | Focus | Manual | |
| Angle Of View (H×V) | 1/3" | WIDE | 18°29' × 13°45' |
| | | TELE | 5°29' × 4°09' |
| | 1/4" | WIDE | 13°45' × 10°16' |
| | | TELE | 4°09' × 3°08' |
| Focusing Range (From Front Of The Lens) (m) | | ∞ ~ 0.8 | |
| Object Dimensions at M.O.D. (H×V) (mm) | 1/3" | WIDE | 271 × 201 |
| | | TELE | 91 × 69 |
| | 1/4" | WIDE | 201 × 150 |
| | | TELE | 69 × 52 |
| Back Focal Distance (in air) (mm) | | MIN.8.56 | |
| Exit Pupil Position (From Image Plane) (mm) | | -50 | |
| Filter Thread (mm) | | — | |
| Mount | | CS | |
| Mass (g) | | 50 | |
| Coil Resistance | | Drive Coil | 190Ω |
| | | Damping Coil | 500Ω |
| Current Consumption | | 23mA (Max.) at DC 4V | |
| Remarks | | • With Metal Mount (*1) When power is turned off, iris will automatically close. | |

Wiring



[Lens Image]



MP MEGAPIXEL VARI-FOCAL LENSES