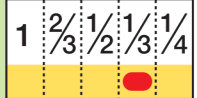




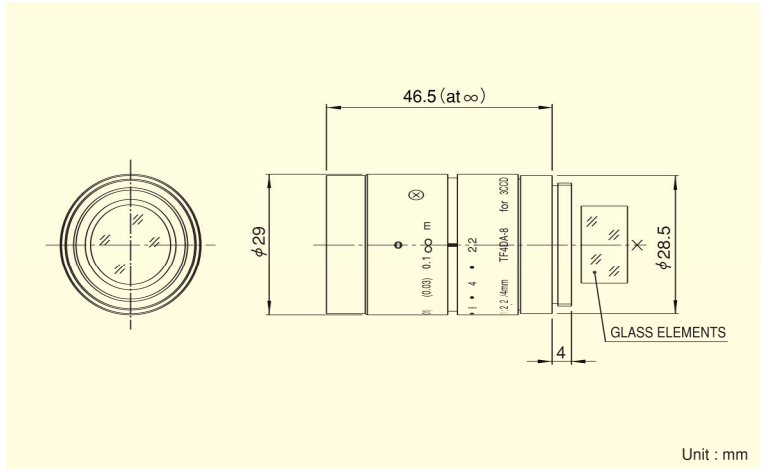
**For FA/Machine Vision**  
**3CCD Camera**

# TF4DA-8

Applicable camera (model)



- FIXED**  
Fixed Focal
- 3CCD**  
For 3CCD Camera
- MANUAL**  
Manual Iris
- C-mt**  
C Mount
- METAL**  
Metal Mount



Unit : mm

- Special design for optimizing the image quality of 3CCD cameras.
- Low-distortion design achieving accurate image input.
- Compact, lightweight and robust design, supporting various systems.
- Faithful color reproduction for 3CCD cameras, best suited for advanced monitoring applications.

Focal Length (mm)		4
Iris Range		F2.2 ~ F16 · Close
Operation	Focus	Manual
	Iris	Manual
Angle Of View (H×V)	1/3"	61°56' × 48°27'
Focusing Range (From Front Of The Lens) (m)		∞ ~ 0.1
Object Dimensions at M.O.D. (H×V) (mm)	1/3"	131 × 98
Back Focal Distance (in air) (mm)		14.61
Exit Pupil Position (From Image Plane) (mm)		88
Filter Thread (mm)		M27 × 0.5
Mount		C
Mass (g)		70
Remarks	•With Metal Mount	